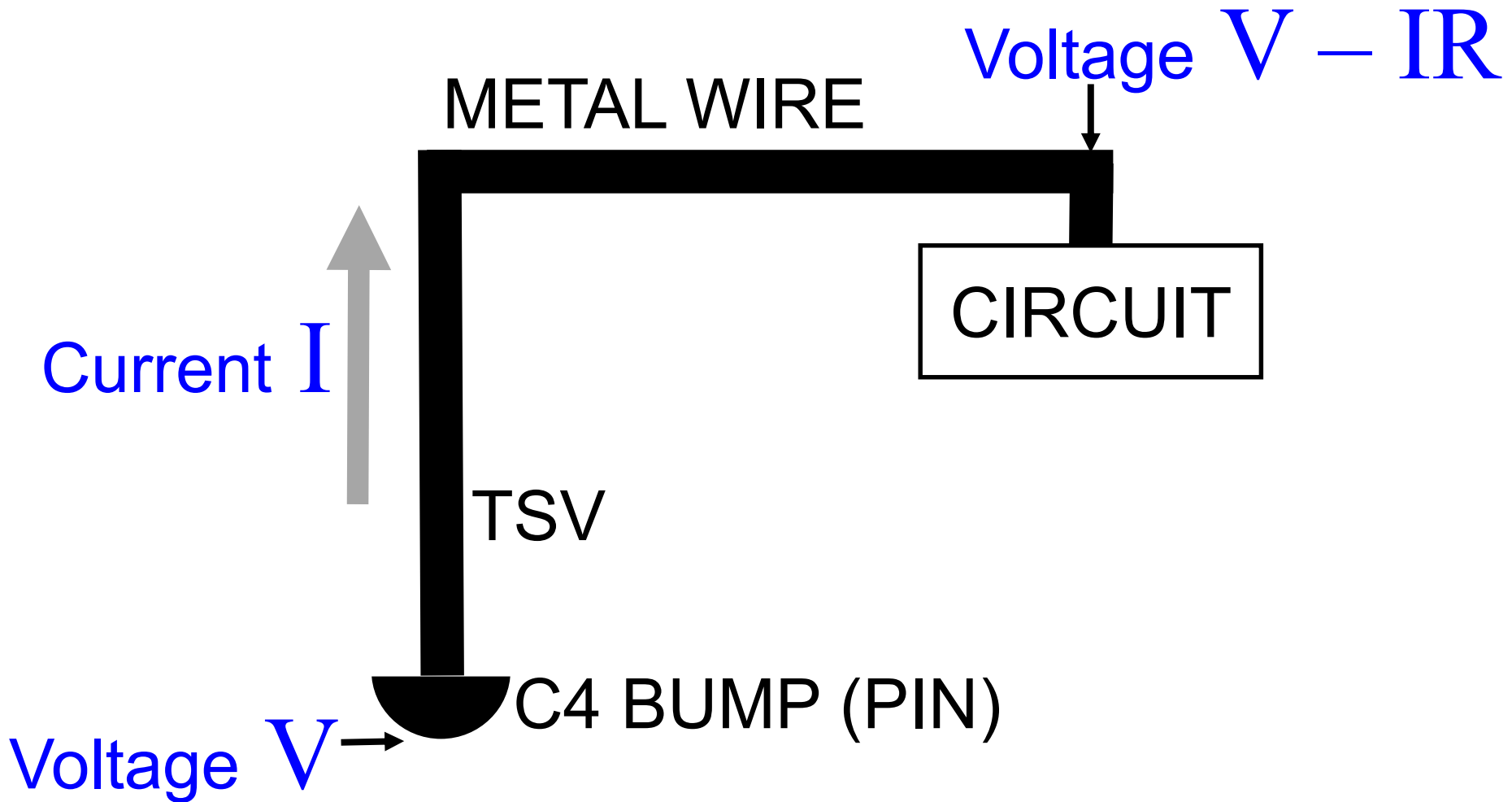
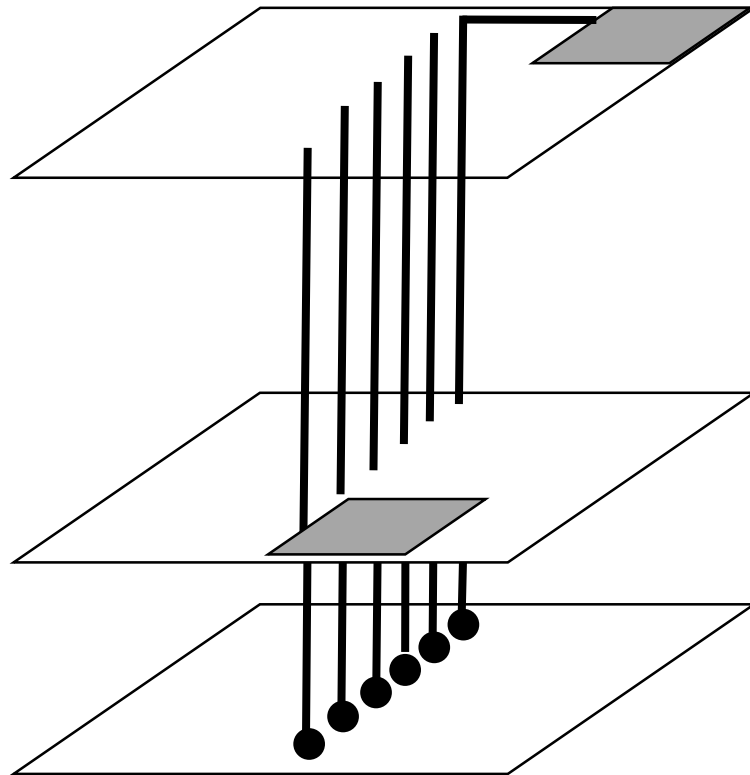


WHAT IS IR DROP ?



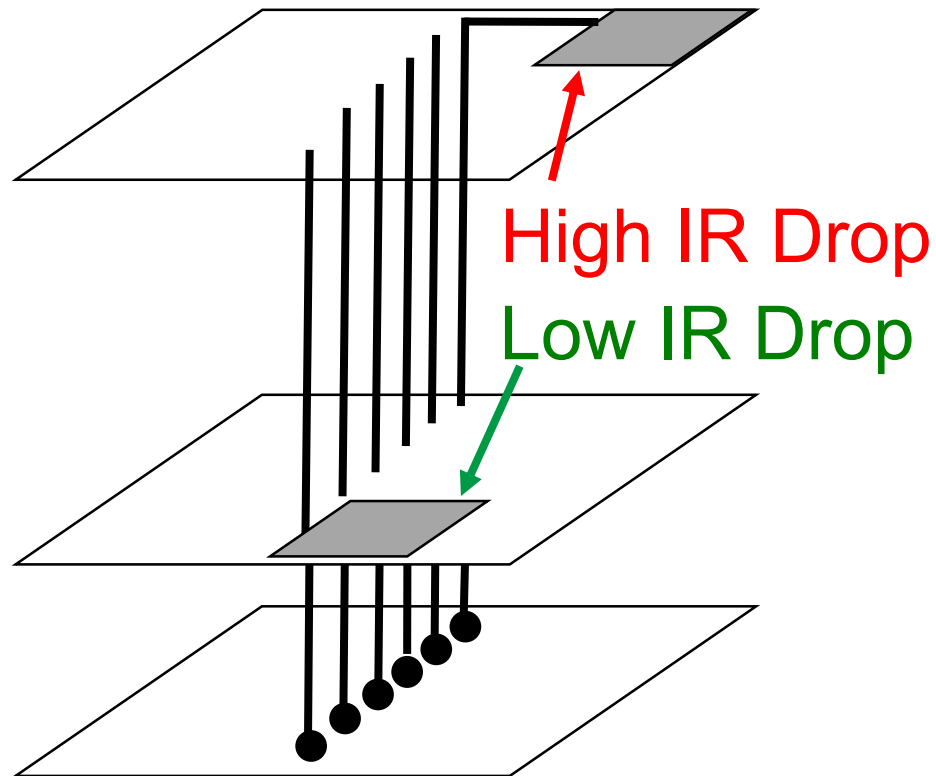
KEY CONTRIBUTIONS

- ① A 3D memory package with few pins & TSVs



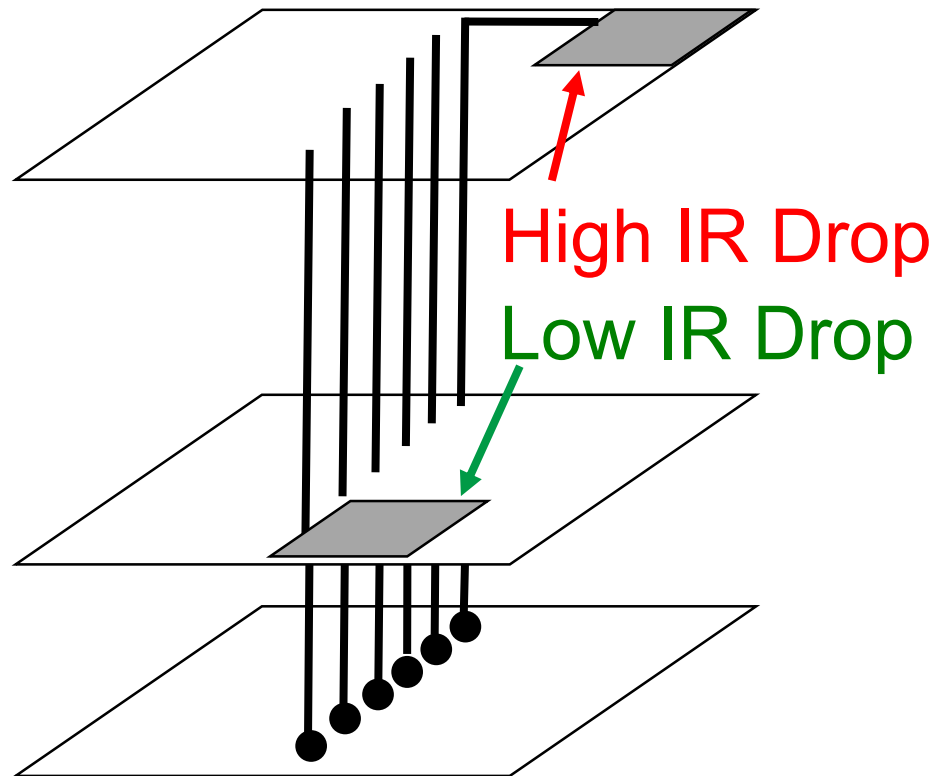
KEY CONTRIBUTIONS

- ② Spice analysis to show voltage maps



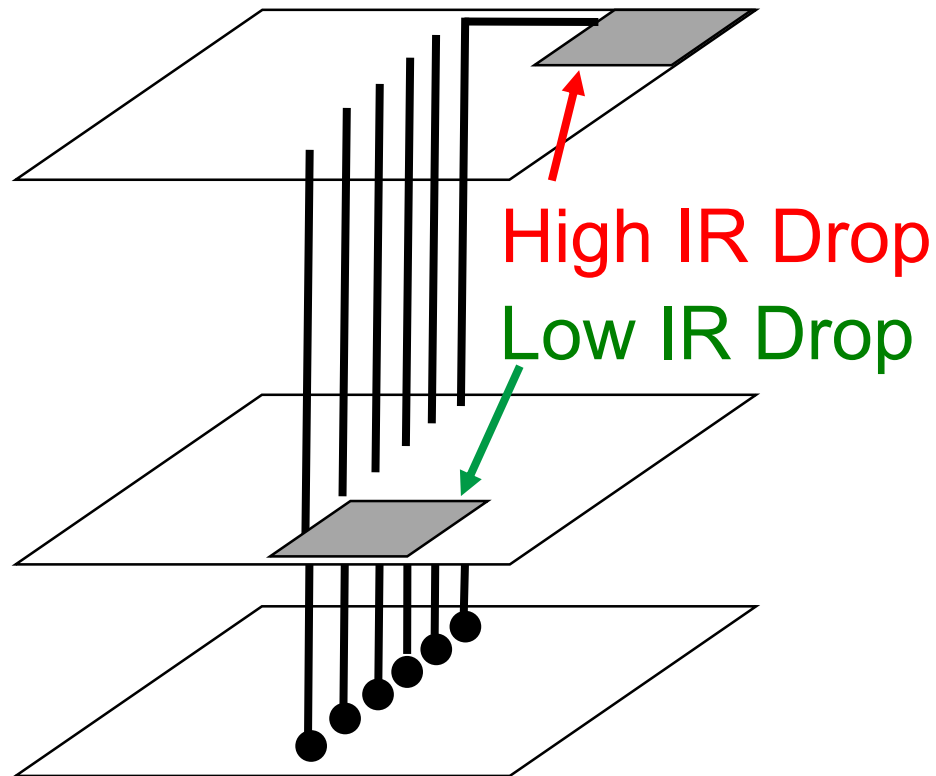
KEY CONTRIBUTIONS

③ Memory controller: what, when, **where**



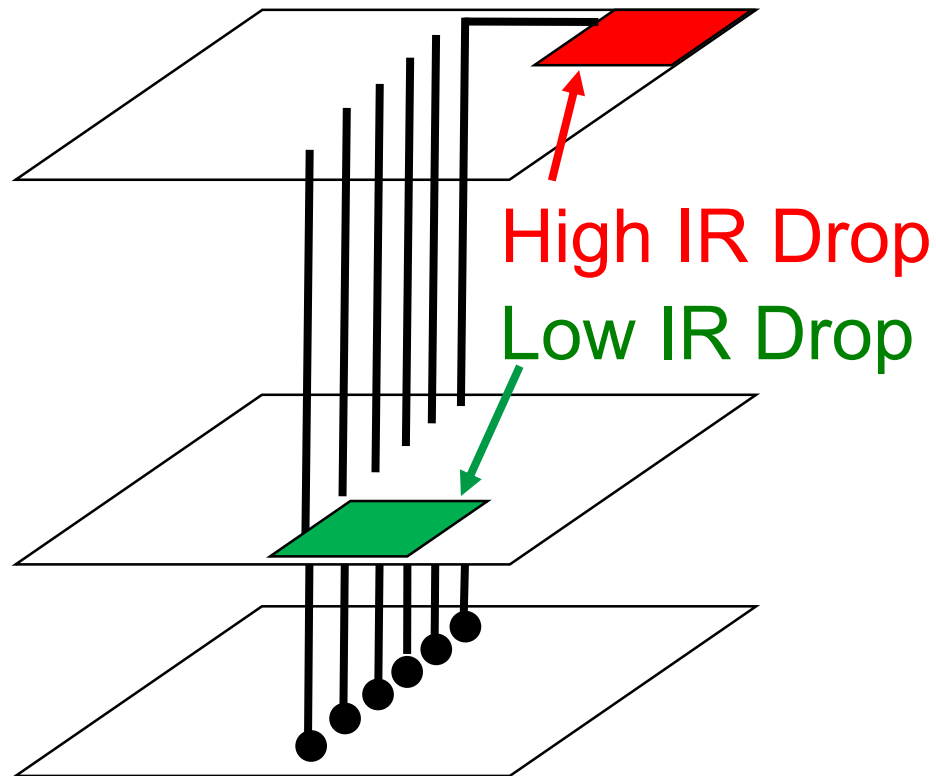
KEY CONTRIBUTIONS

④ Handle starvation



KEY CONTRIBUTIONS

- ⑤ Place pages in favored regions



NOW PLAYING

A PAPER ABOUT

**COST &
VOLTAGE
NOISE**

UTAH, SAMSUNG, ARM

NOW PLAYING

WHERE ARE THE
#&\$@ PERFORMANCE
NUMBERS?
TUESDAY 9:30am,
SESSION 3A ?!
I'LL BE THERE !



INTRIGUED TOM CONTE